



Systems Include:

- Crank or motor driven unit
- Two 8 ft. sections of flexible tubing
- Two 10 ft. sections of flexible tubing
- Four lift cylinders
- Four glides
- Twelve tubing clips (adhesive backed) and sixteen cable ties
- Installation tips
- Drilling templates

Ergoswiss Quick Ship Systems are shipped completely assembled and ready for installation.

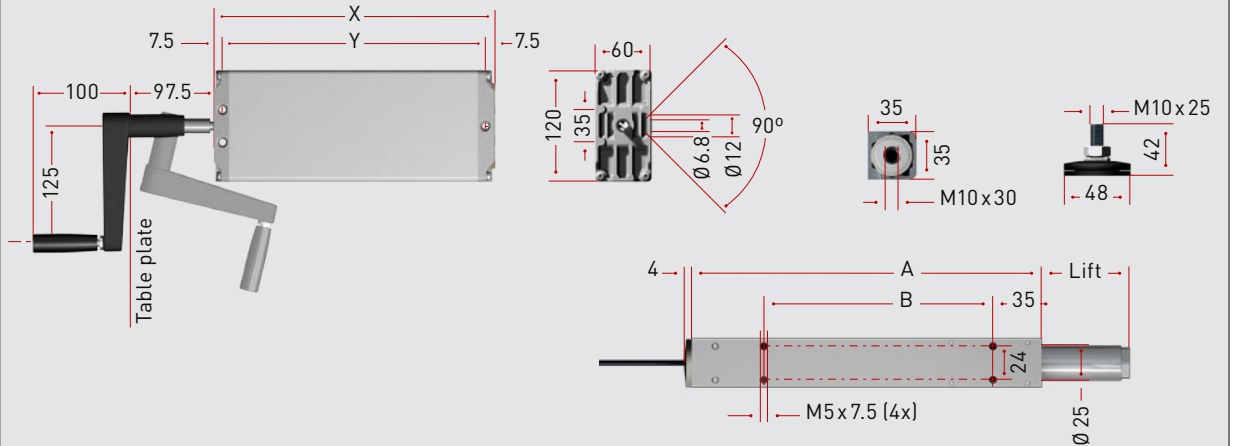
Quick Ship Systems

TECHNICAL DATA

- Maximum lift capacity 1000 Lbs. (450 kg)
- Adjustment range 8" / 12" / 16" (200/300/400 mm)
- Motor or crank driven
- Other models upon request

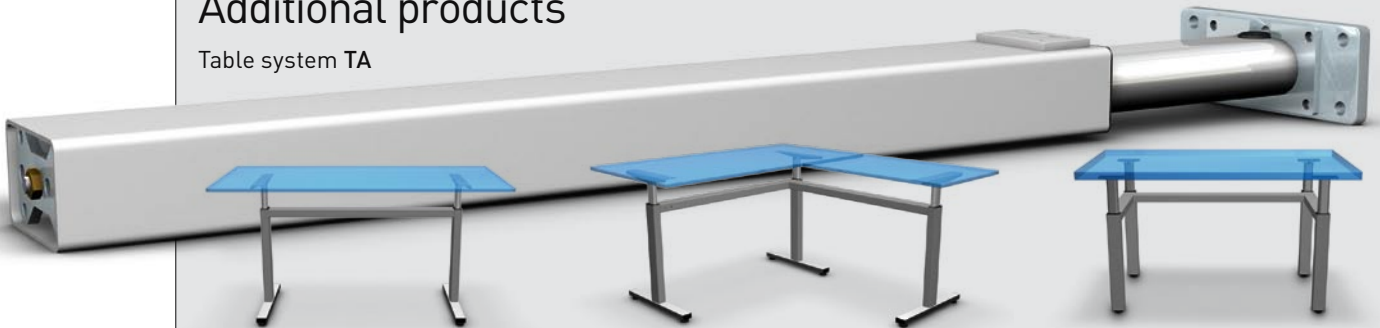


1000 lbs	Linear Unit LA		Crank System			Motor System
System Adjustment Range	Dimension A [mm]	Dimension B [mm]	Part Number	X	Y	Part Number
8"	317	240	111.00042	600.5	585.5	111.00052
12"	442	340	111.00043	722.5	707.5	111.00053
16"	542	340	111.00044	923.5	908.5	111.00054



Additional products

Table system TA



Linear units



Cylinders



Electric Drives

