



The table system is ideal for assembly workplaces, office desks, workbenches or hobbies. The table leg **TA** ensures great balance and stability of the table even at the highest work position. The tables can be adjusted to any height, which is good for the health of the user. The tables can also be operated while standing due to the large lift length.

The system **TA** is modular and consists of the **table leg TA (I)**, the **plate carrier (II)**, a **cross-bar (III)** and the **table feet (IV)**.

The crossbars are positioned so that a roll container can be moved under the table (height 590 mm).

In combination with Ergoswiss pump, up to 10 legs can be adjusted in synchrony. It is possible to implement table frames with a lift length of 150, 200, 300, 400 and 500 mm and a load of 1.000 kg. The table system **TA** is can be operated by hand crank or an electric motor.



Type TA



Table leg

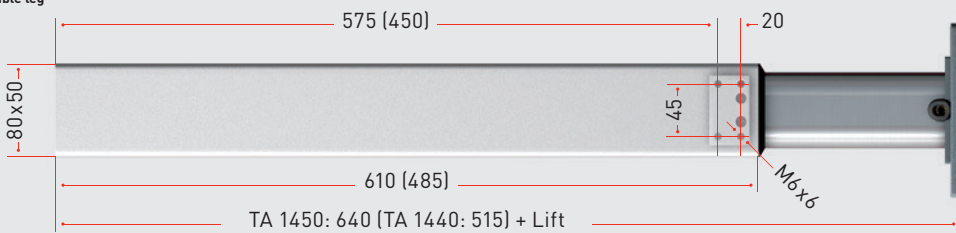
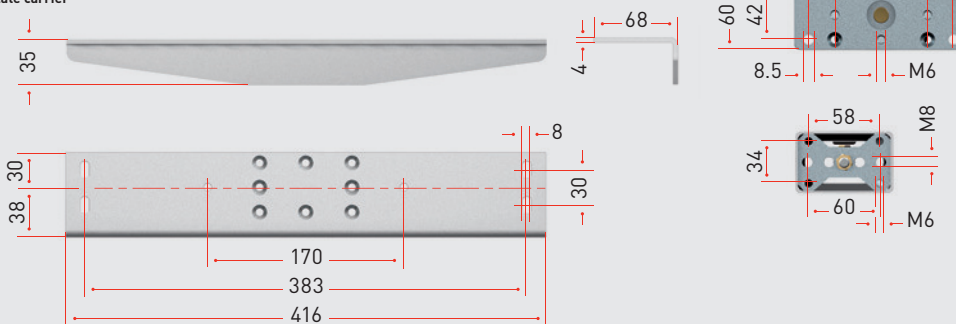


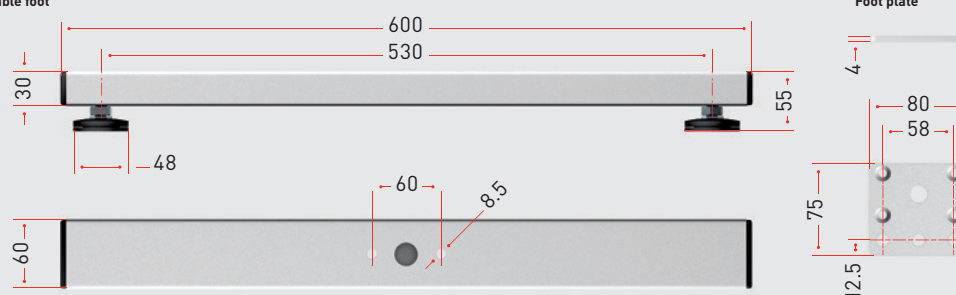
Plate carrier



Crossbar



Table foot



Foot plate



TECHNICAL DATA

- Load max. 1.500 N per leg
- Higher ultimate load upon request
- Please observe the max. load of the complete system
- All TA legs have pre installed tubing with a length of 3 m. Other length upon request
- Retracted length 640 mm (TA 1450) and 515 mm (TA 1440)
- Lift 150 to 500 mm (short version up to 400)
- Max. static bending moment $M_b = 1.000 \text{ Nm}$
- Max. dynamic bending moment $M_b = 150 \text{ Nm}$
- Color: RAL 9006 white aluminum
- Other models and accessories upon request



Due to its modular design the **TA** system can be used in a versatile and flexible way. With just a few elements, different applications are possible.

TA-2: A two-leg system for seated and standing workplaces in the office or at assembly workplaces. Consisting of two table legs, two carrier plates, two table feet and a crossbar for the stabilization of the system. Different table widths can be implemented with the crossbars from the standard program.

TA-3: A three-leg system for corner combinations in the office and at assembly areas. Here the two-leg system with an additional crossbar is extended by a third leg.

TA-4: A four-leg system for maximum stability, such as workbenches, plane benches and assembly workplaces. The crossbars in the longitudinal direction can be placed in three depth positions.

Special: On tables for cable PADkaging or assembly of long components, the two-leg system can be controlled in serial synchrony. This also permits height adjustment on very long tables.

Up to 10 table legs can be connected at once and adjusted with the **PB** pump. Examples are large textile tables, multi-leg tables for the assembly of large components, as well as the adjustment of any size surface.



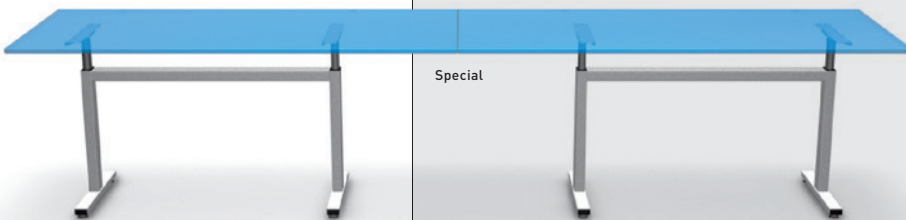
TA-2



TA-3



TA-4

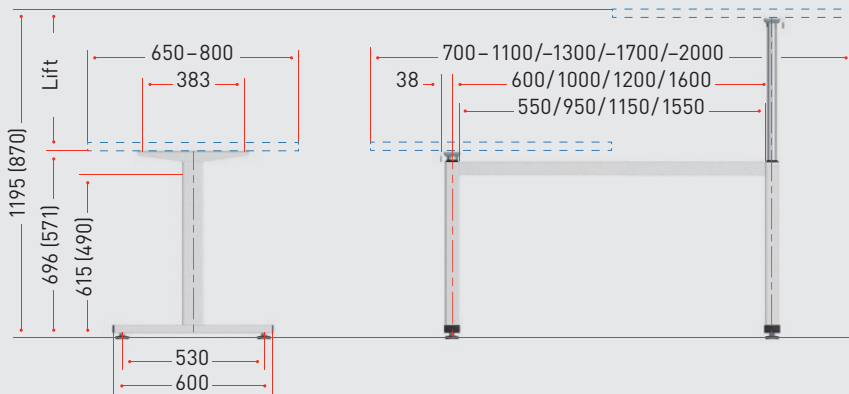


Special

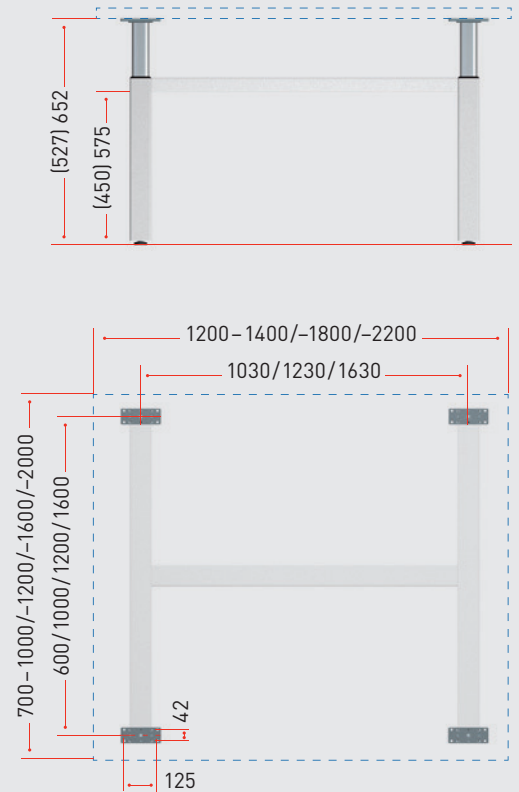
Table versions



TA-2



TA-4



TA-3

