

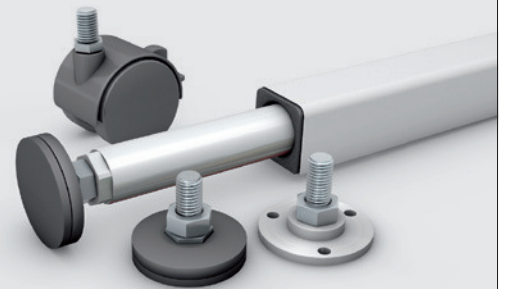


The linear unit, consisting of a cylinder and a linear guide, is a compADt, stable lift element. It can be directly installed onto or into existing objects. A multitude of tables or other components can be retrofitted with a lift system without problems.

Four M5 threads are provided to install the linear units **LA** and **LD**. As a built-in solution we offer the type **LB**, which can be directly installed into an existing profile.

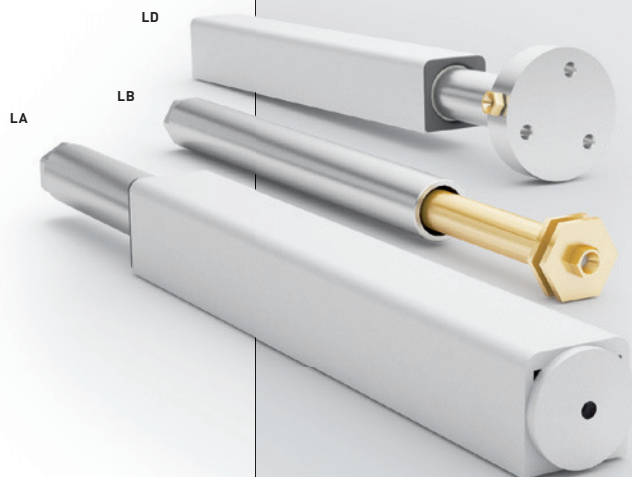
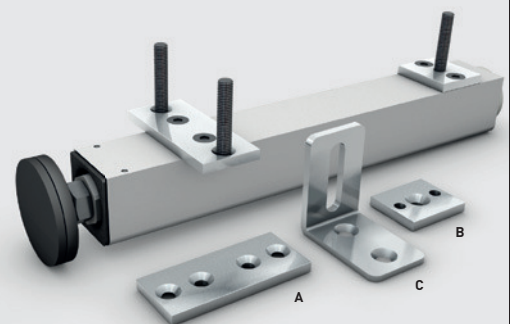
The linear unit housing consists of a colorless anodized aluminum profile. The standpipe made of stainless steel is positioned in plastic bushings.

The rubber foot made of stainless steel is screwed into the linear unit. It serves to fine-tune/adjust floor unevenness. The aluminum foot can be bolt down directly at the floor.

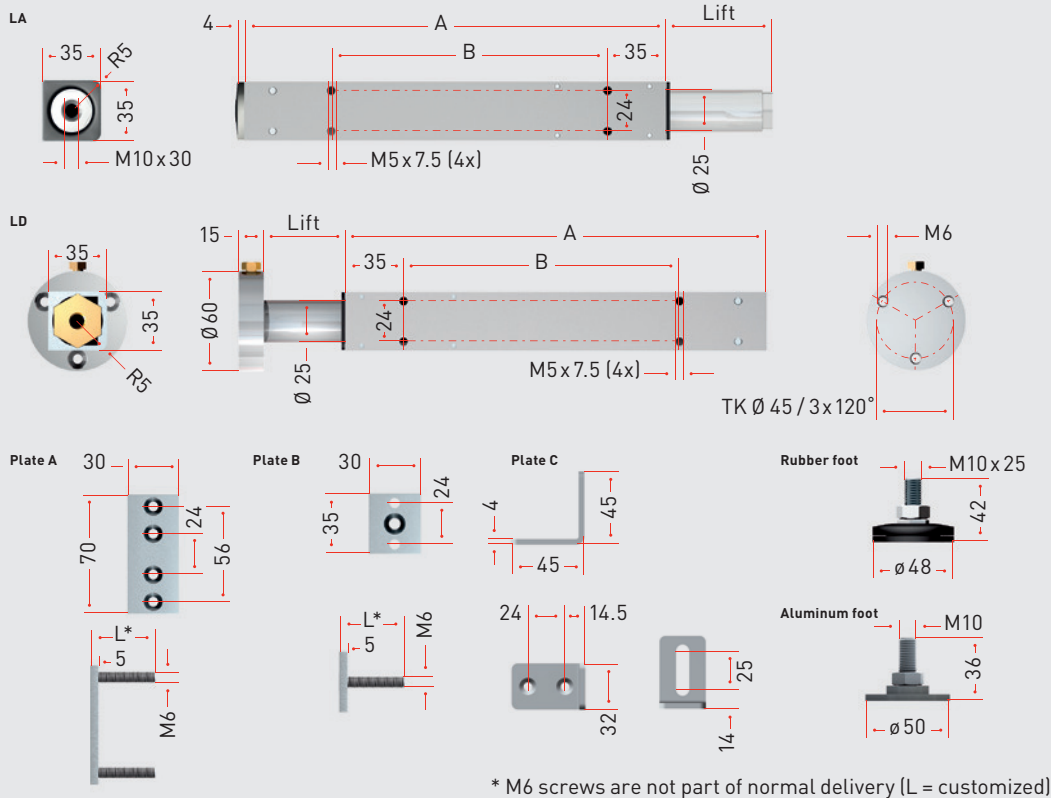


The attachment plates permit linear units to be installed if they cannot be directly attached to the M5 holes.

(please check our CAD Drawings under www.ergoswiss.com)



Type LA/LB/LD



TECHNICAL DATA

- Please observe the max. load of the complete system given in selection table
- Load max. 1.500 N per cylinder
- Lift length up to 600 mm; greater length upon request
- Stainless steel designs are also available for use in food areas
- There is also the possibility to use food-friendly fluids
- Linear Units LA with a radial tubing connection are available from stock
- Linear Units LA with an integrated restoring spring on request
- Castors for the LA Units upon request
- No additional guide is necessary
- The linear units should not be exposed to traction
- Other models upon request

Dimensions

Type LA/LD	Lift [mm]	Dimension A [mm]	Dimension B [mm]
LA/LD 1415	150	252	165
LA/LD 1420	200	317	240
LA/LD 1430	300	442	340
LA/LD 1440	400	542	340
LA/LD 1450	500	667	450
LA/LD 1460	600	767	145 /450

Brief description:

Explanation using **LA 1430** as an example

LA = Linear unit type A, 14 = Piston diameter 14 mm, 40 = Cylinder lift 30 cm